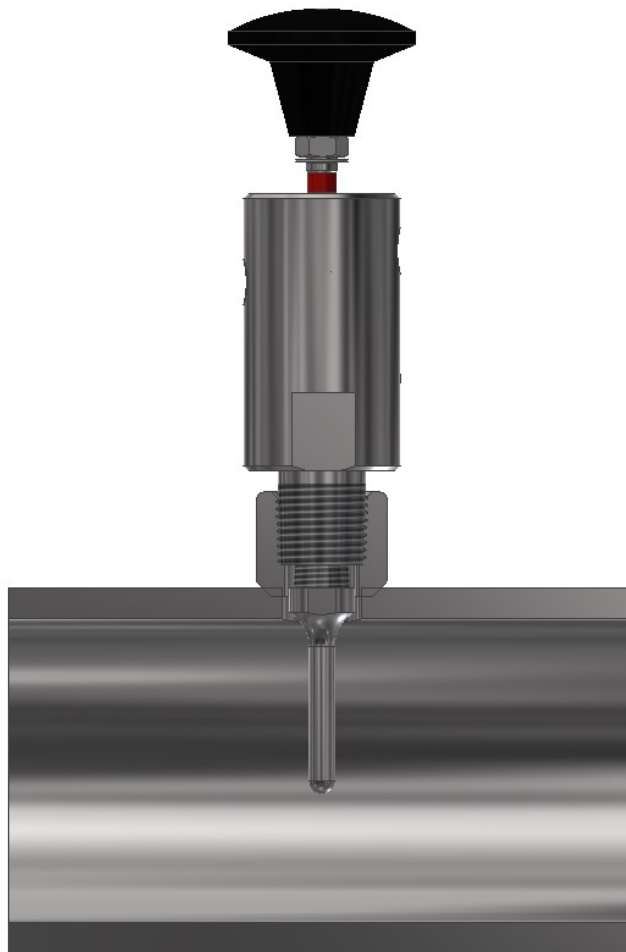

OPERATION

The Ruelco Sand Probe Relay and Sand Probes are designed to provide a positive indication of excessive erosion or corrosion which can occur in flow line pipes due to sand or other foreign debris. The thin wall probe will wear due to the constant presence of sand and activate the relay once pressure integrity has been lost. This will alert field personnel to possible inspection and repair needs.

For all standard flow line applications, Ruelco recommends drilling a hole and welded a 1/2" npt threaded weldolet directly onto the pipe. The various Ruelco probe lengths are designed to ensure that the maximum flow velocity of the sand or debris impacts the tip end of the probe. This provides the best indication of sand erosion without greatly impacting the flow itself.



SAND PROBE INSTALL GUIDE

PHONE: 504-340-0055
FAX: 504-340-0056
EMAIL: SALES@RUELCO.COM

1209 DISTRIBUTORS ROW
NEW ORLEANS, LA 70123
